

# JDN Product Info No. 1

11/2007

## Limit switch for highest hook position

### For JDN Air Hoists Profi 025 TI up to Profi 2 TI

The buffer above the load sleeve/bottom block complies with the safety function of the top limiting. To avoid damages at the buffer and fatigue break of the chain the buffer may not be driven against the hoist body at intended use.

In order to drive safely as high as possible under the hoist body or under the chain box with a hooked load we have designed this limit switch. It can be mounted on every Profi 025 TI up to Profi 2 TI with F or FI control, even in trolley applications.

The lengths of the ropes will be set in such a way that the highest possible hook position can be reached.

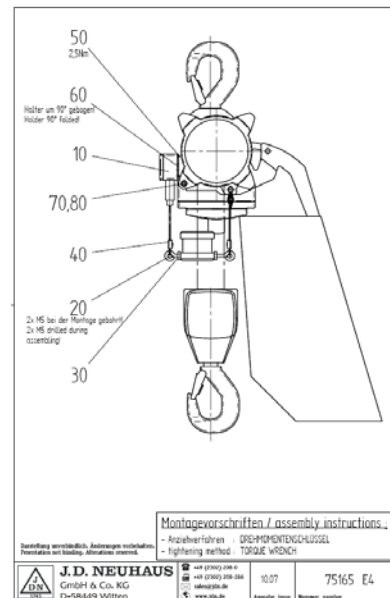
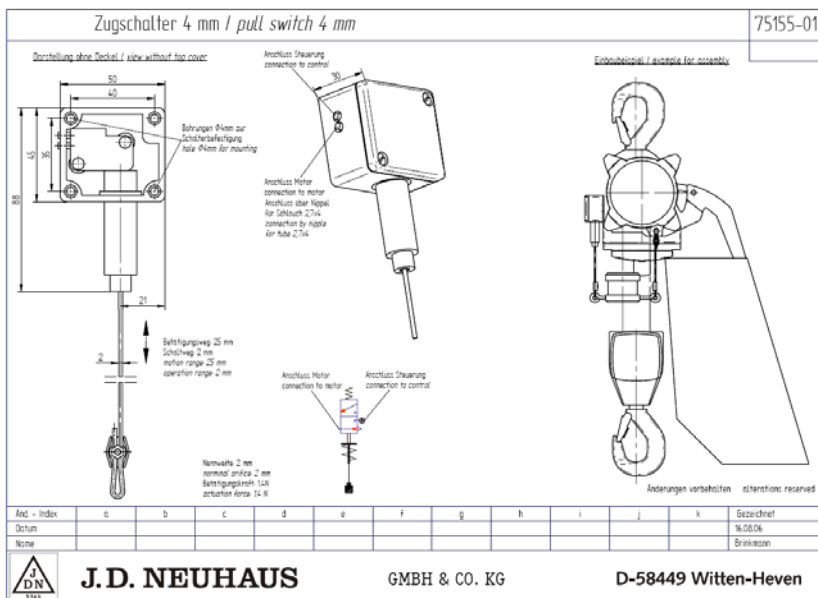
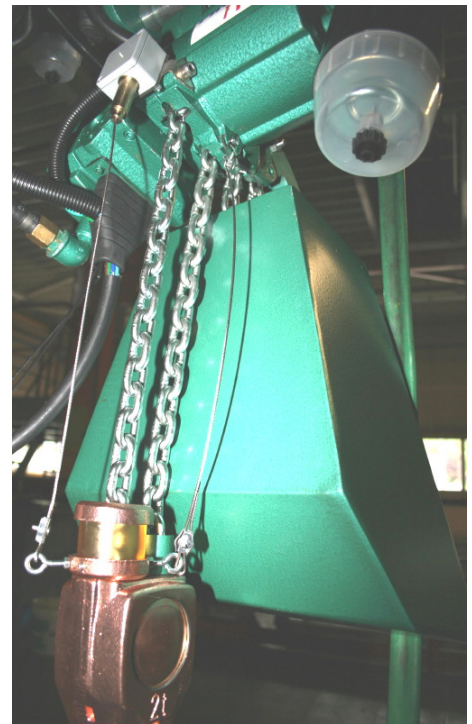
### Operating mode

When the buffer hangs freely the ropes are tight by the buffers weight and the pull switch is in the „On“ position.

When the bottom block runs against the buffer while lifting the ropes release, the pull switch shuts off and the lifting movement stops immediately in the preset hook position.

You will receive the complete installation group under Art. No. 75165.

The following drawings and a parts list are attached to this e-mail.



Questions regarding this product info may be forwarded to:  
[marketing@jdn.de](mailto:marketing@jdn.de)

Your **J.D. NEUHAUS** Sales Team

J.D. Neuhaus GmbH & Co. KG\_D-58449 Witten-Heven  
Phone: +49(0)2302-208-0\_Fax: +49(0)2302-208-286  
web site: [www.jdn.de](http://www.jdn.de) e-mail: [info@jdn.de](mailto:info@jdn.de)



**J.D. NEUHAUS**  
powered by air!